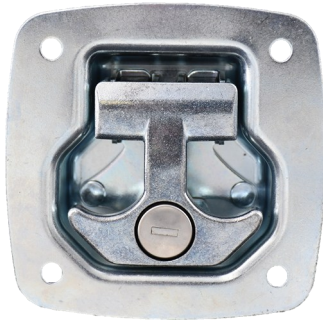


080-0550 Downsized Grapple Compression Latch



This new grapple style compression latch is designed for compartments, access panels and hoods for off-highway vehicle applications that are subject to high vibration loads. Similar in function to TriMark's 080-0500 Grapple Style Compression Latch, this version offers a space saving design that is retrofittable to popular competitor latches. Offering 5mm (.197") of compression, the three robust opposing jaws work with a striker diameter of 8.0-9.5mm (.315"-.375"), providing a high level of resistance to vibration, shock and wear.

FEATURES/BENEFITS:

- Its use in gasketed applications meets requirements for environmental sealing, noise and airflow management—helps reduce or eliminate noise and rattle caused by vibration
- Provides sturdy door support to eliminate extra wear/stress on door hinges as seen with other latches that provide minimal support
- Sealed housing provides for minimal intrusion of dirt and water
- Intuitive open and close actuation does not require a turning operation with the handle
- Handle provides over-center action and remains up (flagged) when latch is open providing visual open/closed status
- Designed to fit mounting cutout of popular competitor latches (86mm/3.39" square mounting)

Global Locations:

TriMark Corporation
500 Bailey Avenue
P.O. Box 350
New Hampton, Iowa 50659
United States
Tel: 641-394-3188
Fax: 641-394-2392
1-800-447-0343
www.trimarkcorp.com

TriMark Europe
Unit 3 Sence Court
Bardon Hill
Coalville
Leicestershire LE67 1GZ
United Kingdom
Tel: +44(0)1530 512460
Fax: +44(0)1530 512461
www.trimarkeu.com

TriMark (Xuzhou)
Building A5 Jingwu Road
Xuzhou Economic
Development Zone
Xuzhou, Jiangsu
221004 PR China
Tel: +86 516 8773 0018
Fax: +86 516 8773 0058
www.trimarkcn.com



TriMark. Interactive. Product. Selector



TriMark



TriMark Corporation



TriMark Corporation

AVAILABLE

- Locking Options - Padlockable only or Padlockable and key locking
 - ◊ Provisions to accept a standard padlock, plus it can be keyed to match other TriMark door products with KeyOne Plus for a single-key system, keyed alike or provided keyed random



INSTALLATION:

- (4) 6mm or 1/4" diameter steel "pop" rivets, M6 or 1/4-20 screws (not included)

MATERIAL:

- Handle: Sturdy die cast zinc alloy
- Latch and housing: Steel construction

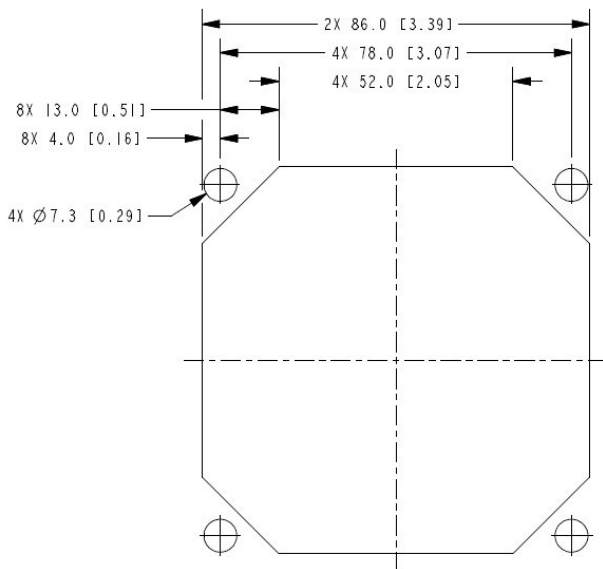
FINISH:

- Standard: zinc plate, clear chromate conversion coat for maximum paint adhesion and resistance to rust
- Optional: black powder coated housing and handle or combination black powder coated housing and buffed chrome handle

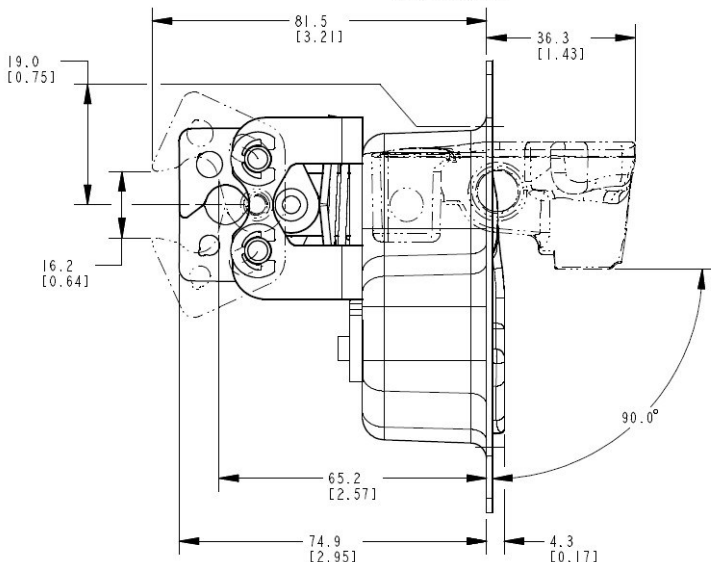
Individual part dimensions are for reference only. Refer to individual part drawings for complete dimensions, specifications, and installation procedures. Engineering assistance and application drawings are available.

U.S. Patent No. 8,770,635

U.S. Design Patent No. D913,075



RECOMMENDED CUT-OUT
(SYMMETRIC)



For more information visit
www.trimarkcorp.com

